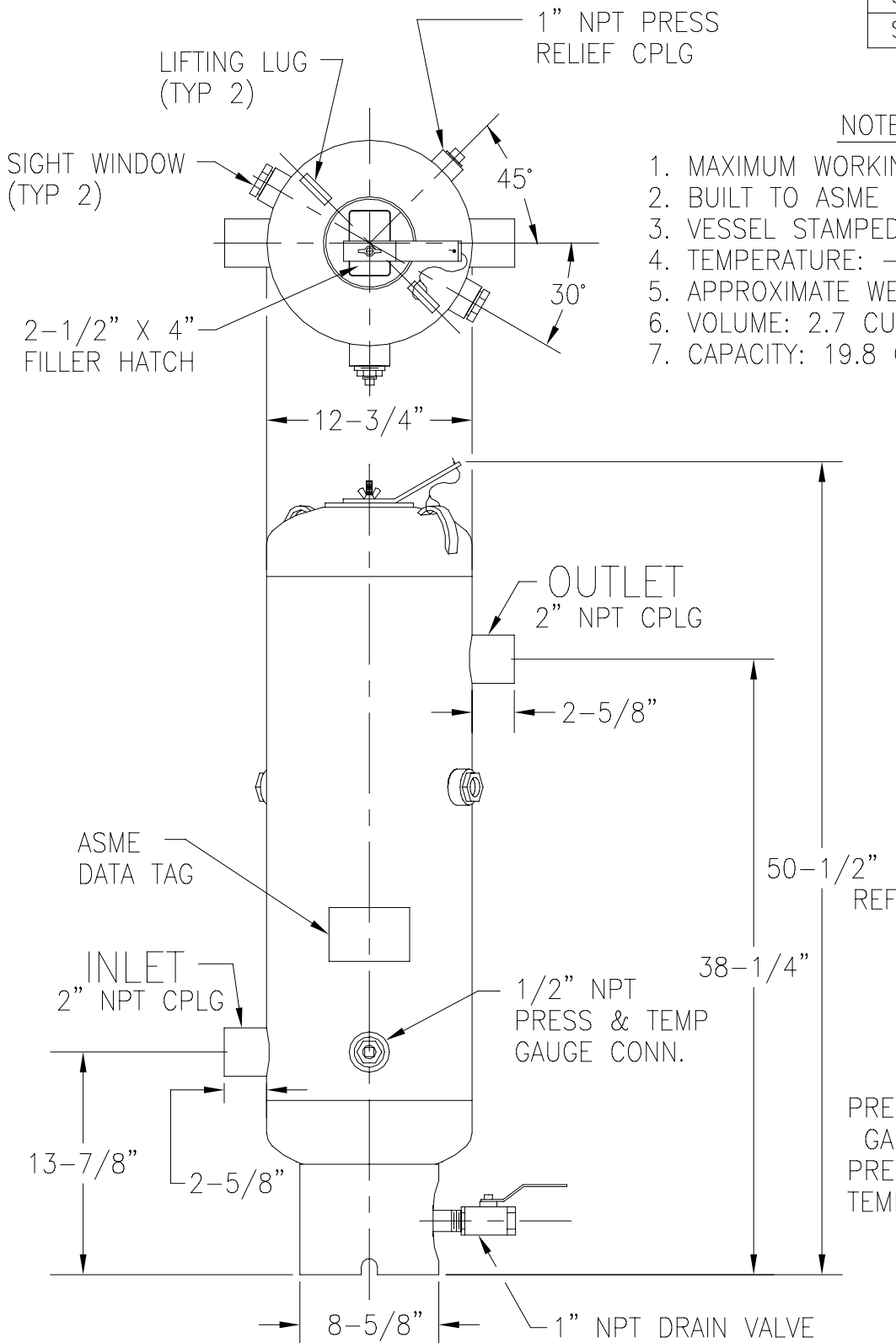


APP'L	DATE	LVL	REVISION
DFK	6-19-86	A	ECN:1450
SCF	6-3-91	B	ECN:4731
SCF	5-24-94	C	ECN:NO 543



NOTES

1. MAXIMUM WORKING PRESSURE: 200 PSIG.
2. BUILT TO ASME CODE PLUS CURRENT ADDENDA.
3. VESSEL STAMPED "UM" SYMBOL.
4. TEMPERATURE: -20°F TO 300°F.
5. APPROXIMATE WEIGHT: 130 LBS.
6. VOLUME: 2.7 CU. FT.
7. CAPACITY: 19.8 GALLONS.

OPTIONAL EQUIPMENT
 PRESSURE AND TEMPERATURE
 GAUGE KIT
 PRESSURE GAUGE KIT
 TEMPERATURE GAUGE KIT

P/N 80-0005

This drawing is the property of

VAN AIR SYSTEMS INC

and is subject to return upon request. It shall not be copied or duplicated in any manner and shall not be submitted to outside parties for examination without the consent of Van Air Systems Inc. It shall be used for reference to work under contract or proposals submitted by Van Air Systems Inc. only.

DELIQUESCENT DRYER
D-12

DRWN BY: SCF	DATE: 5-20-94	DRWG No. SD-11633	REV C
CHECKED:	SCALE: NONE		
APPL:	VAN AIR SYSTEMS INC		