

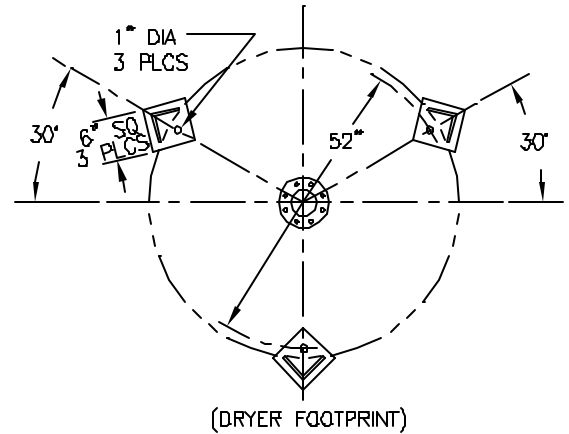
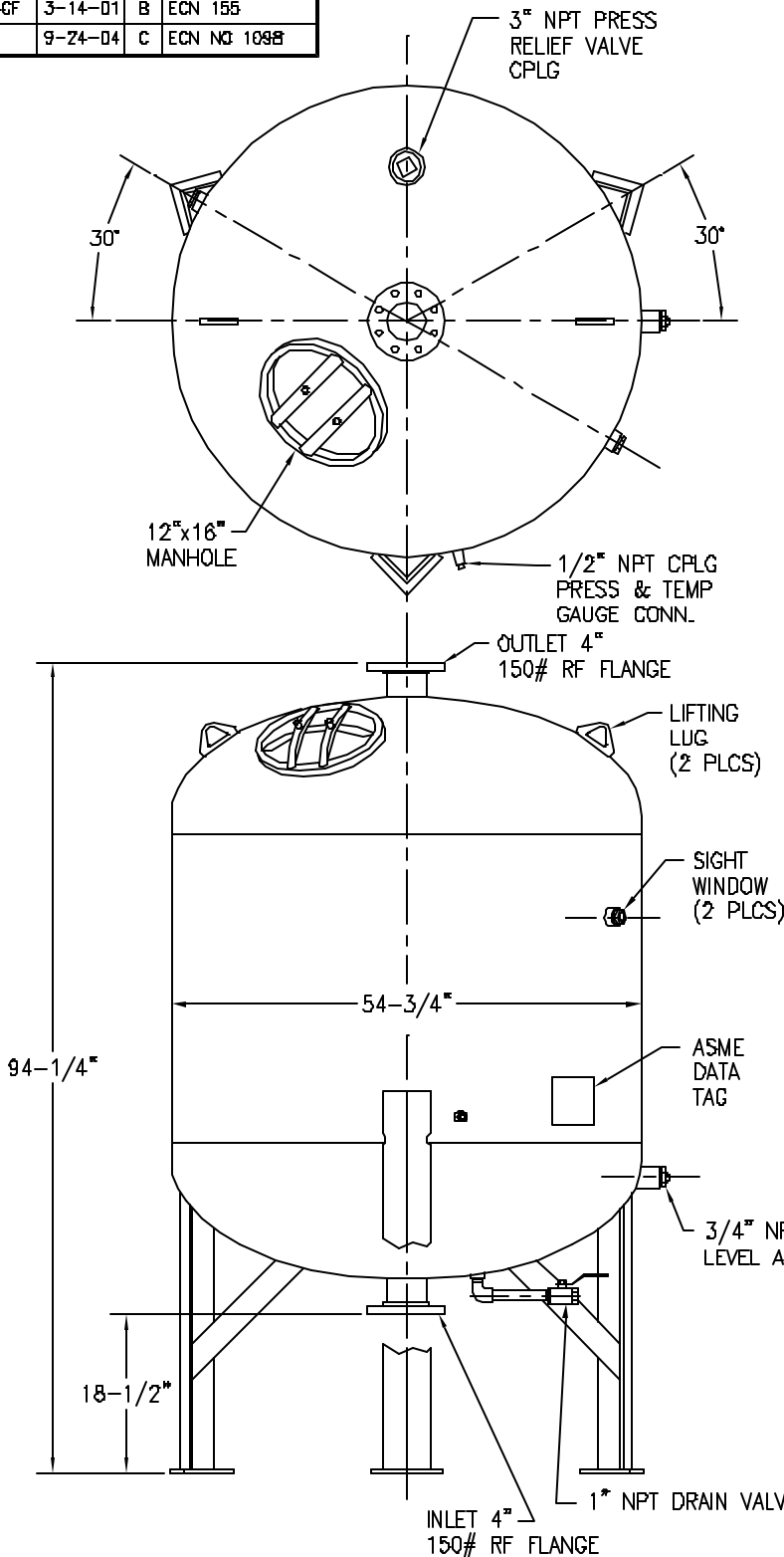
| APPL | DATE | LVL | REVISION |
|------|---------|-----|-------------|
| DK | 4-29-93 | A | ECN 5197 |
| SGF | 3-14-01 | B | ECN 155 |
| | 9-24-04 | C | ECN NO 1088 |

NOTES

- 1) MAXIMUM WORKING PRESSURE: 150 PSIG.
- 2) BUILT TO ASME CODE PLUS CURRENT ADDENDA.
- 3) VESSEL STAMPED "U" SYMBOL.
- 4) TEMPERATURE: -20°F TO 300°F.
- 5) APPROXIMATE WEIGHT EMPTY: 2,640 LBS.
- 6) APPROXIMATE WEIGHT FULL: 5,610 LBS.
- 7) CAPACITY: 575 GALS.
- 8) VOLUME: 77 CU.FT.
- 9) INTERIOR PAINT: EPOXY PRIMER, GREY POLYURETHANE FINISH.
- 10) EXTERIOR PAINT: ALKYD PRIMER & WHITE ENAMEL FINISH.
- 11) FLANGE BOLT HOLES TO STRADDLE CENTERLINES.

OPTIONAL EQUIPMENT

- PRESSURE & TEMPERATURE GAUGE KIT.
- HIGH LEVEL ALARM KIT.
- PRESSURE GAUGE KIT.
- TEMPERATURE GAUGE KIT.



P/N 80-0013

This drawing is the property of **VAN AIR SYSTEMS INC**

and is subject to return upon request. It shall not be copied or duplicated in any manner and shall not be submitted to outside parties for examination without the consent of Van Air Systems Inc. It shall be used for reference to work under contract or proposals submitted by Van Air Systems Inc. only.

**DELIQUESCENT DRYER
D-54**

| | | | |
|--------------|---------------|----------|-----|
| DRWN BY: MJM | DATE: 4-29-93 | DRWG No. | REV |
| CHECKED: | SCALE: NONE | SD-11654 | C |

APPL: **VAN AIR SYSTEMS INC**