

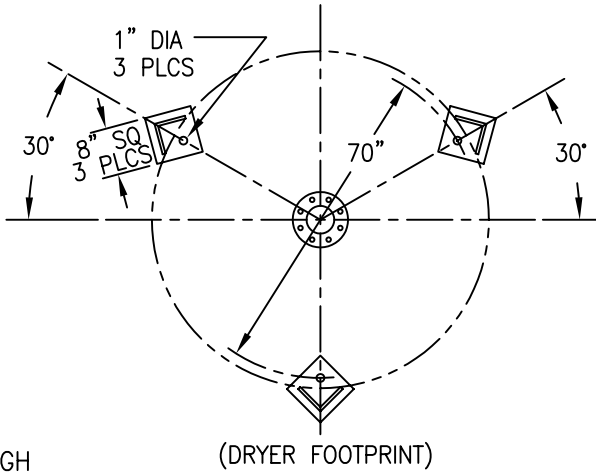
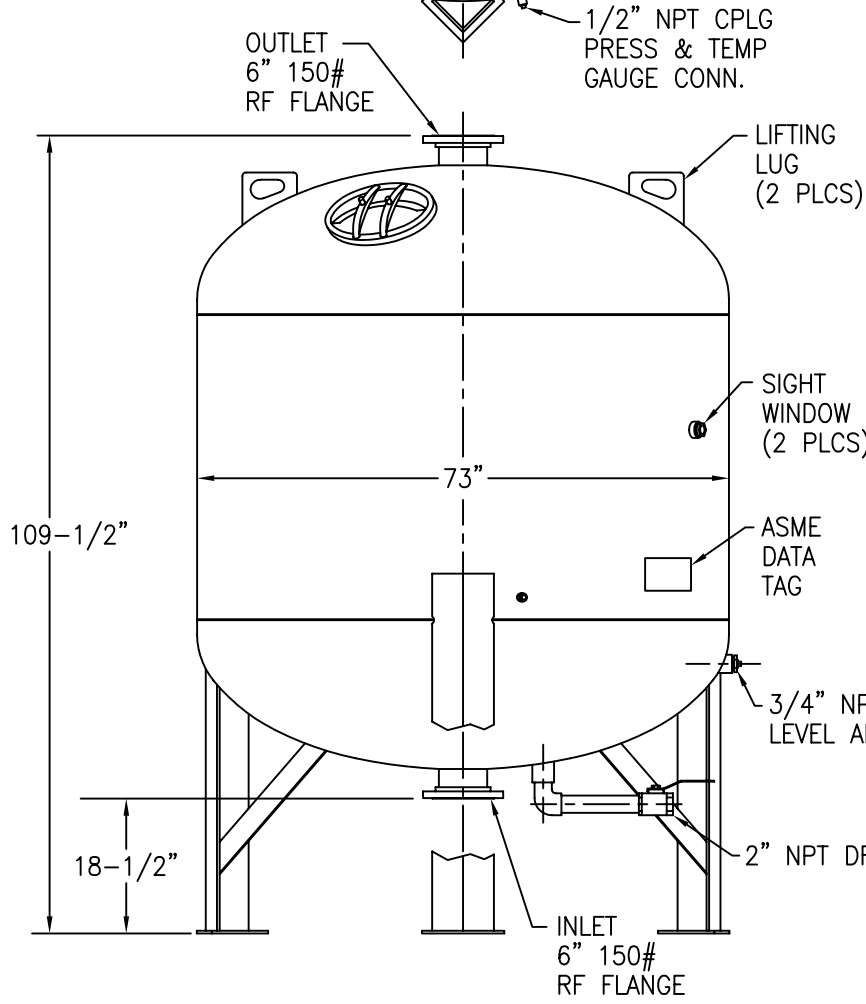
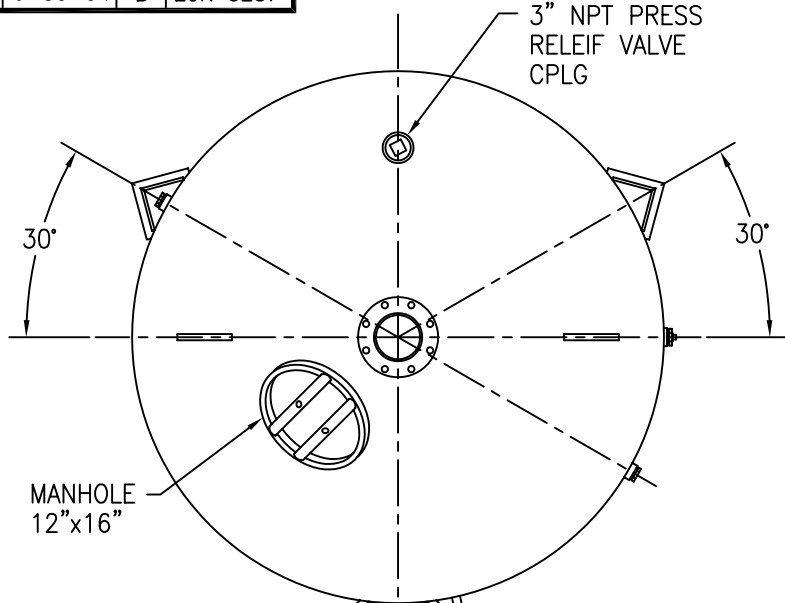
APP'L	DATE	LVL	REVISION
	6-30-94	B	ECN 5287

NOTES

- 1) MAXIMUM WORKING PRESSURE: 125 PSIG.
- 2) BUILT TO ASME CODE PLUS CURRENT ADDENDA.
- 3) VESSEL STAMPED "U" SYMBOL.
- 4) VESSEL TEMPERATURE RATING: -20°F TO 300°F.
- 5) APPROXIMATE WEIGHT EMPTY: 4,500 LBS.
- 6) APPROXIMATE WEIGHT FULL: 10,800 LBS.
- 7) CAPACITY: 1,233 GALLONS.
- 8) VOLUME: 165 CU.FT.
- 9) INTERIOR PAINT: EPOXY PRIMER, GREY POLYURETHANE FINISH.
- 10) EXTERIOR PAINT: WHITE ENAMEL FINISH.
- 11) FLANGE BOLT HOLES TO STRADDLE CENTERLINES.

OPTIONAL EQUIPMENT

- PRESSURE & TEMPERATURE GAUGE KIT.
- HIGH LEVEL ALARM KIT.
- PRESSURE GAUGE KIT.
- TEMPERATURE GAUGE KIT.



P/N 80-0016

This drawing is the property of **VAN AIR SYSTEMS INC** and is subject to return upon request. It shall not be copied or duplicated in any manner and shall not be submitted to outside parties for examination without the consent of Van Air Systems Inc. It shall be used for reference to work under contract or proposals submitted by Van Air Systems Inc. only.

**DELIQUESCENT DRYER
D-72**

DRWN BY: <i>MGM</i>	DATE: 6-30-94	DRWG No.	REV
CHECKED:	SCALE: NONE	SD-11657	B

APPL: **VAN AIR SYSTEMS INC**
 Lake City, PA 16423 (814)774-2631 Fax: 814/774-3482 Telex: 91-4548