

Air/Gas Filters - to 285 psig

285psig @ -20 to 100°F
260psig @ -20 to 200°F

Series P30- Enameled Carbon Steel ♦ Series P32- 304 Stainless



SparksFilters™

- Intake Air Flows to 100,000 SCFM Std.
- ASME U Stamp Std., Nat'l. Board Registered
- Low Pressure Drop, Maximum Filter Area and Dirt Capacity
- Hinged Flange and Lift Lug Std.
- Service Access W/O Breaking Connections
- 304SS Throat Safety Cages and ΔP Taps Std.
- Rugged Enameled Steel or 304SS Construction

These air and gas pipe line filters offer exceptional protection for compressed gas pipelines, air dryers, pneumatic controls, and other pipeline equipment. They are fabricated from rugged enameled carbon steel (series P30) or 304SS (series P32), designed, constructed, and stamped, in accordance with ASME Boiler and Pressure Vessel Code requirements for unfired pressure vessels. Any model can be readily modified at your request to more exactly fit your needs.

• Connection Sizes from 1" to 12"

Male NPT (MT) or raised face flanges (RF) in-line connections are std. Alternative orientations and sizes are available upon request. A simple blind flange closure assembly is standard on all models.

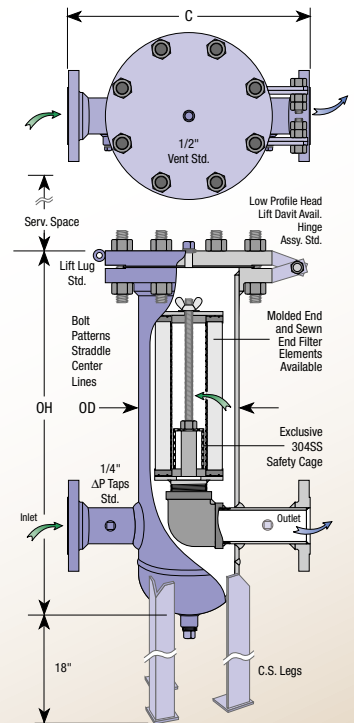
• Recoverable Sewn or Rubber End Filter Elements.

Classic radial fin textile media elements are unsurpassed for low ΔP, dirt holding capacity and efficiency. They stop particulates before they can move downstream. Select either recoverable 10μ Sewn End Filter Elements or 10μ long life low cost urethane rubber molded end elements, as your needs dictate to remove 98% of all airborne dust and dirt. Unlike PVC, our urethane rubber ends have no phthalate elastomers or other plastisizers. Dozens of alternative filter media are available for services having finer micron retentions, elevated temperatures and/or aggressive chemistry, see page 30.

• Options:

Models P30-0202-MT-020 and larger include CS leg supports. (add 18" to OH) Carbon steel support legs in any length, gauges, special finishes, and head lift assemblies are optional on any model. Call for information on vessels having other pressure services, 304SS, or other materials of construction.

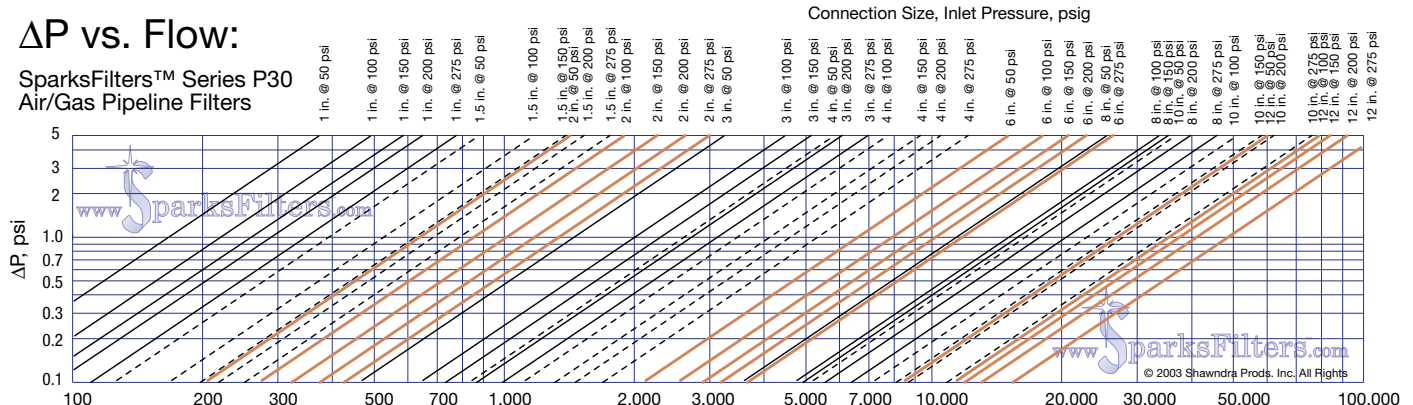
See pgs. 13 & 14 for more options and a worksheet to fax back to us.



Housing Model No.	Conn. Size	Conn. Type	Cover Style	Dimension in Inches				Wgt. Lbs.	Select Filter Elements	
				OD	OH	C	Sev. Space		Sewn End 10μ	Molded End 10μ
P30-0200-MT-010	1"	MPT	Blind Flg.	6%	24	16	16	130	320-0365K5	321-1439K5
P30-0201-MT-015	1½"	MPT	Blind Flg.	6%	28	16	16	140	320-0525K5	321-3235K5
P30-0202-MT-020	2"	MPT	Blind Flg.	8%	28	16	16	150	320-0526K5	321-3236K5
P30-0203-RF-030	3"	Flg.	Blind Flg.	8%	39	20	24	200	320-0527K5	321-3237K5
P30-0204-RF-040	4"	Flg.	Blind Flg.	10%	42	20	24	325	320-0528K5	321-3238K5
P30-0205-RF-060	6"	Flg.	Blind Flg.	12%	51	24	26	500	320-0529K5	321-3239K5
P30-0206-RF-080	8"	Flg.	Blind Flg.	16	66	28	36	850	320-0530K5	321-3240K5
P30-0207-RF-100	10"	Flg.	Blind Flg.	20	76	32	36	1200	320-0531K5	321-3241K5
P30-0208-RF-120	12"	Flg.	Blind Flg.	24	78	36	39	1400	320-0532K5	321-3242K5

ΔP vs. Flow:

SparksFilters™ Series P30 Air/Gas Pipeline Filters



1. For service at temp. other than 60°F, multiply ΔP by: (460 + (oper. °F)) / 520
2. ΔP is chgd. proportionally with gas gravity, i.e. nat. gas ΔP 60% that of air.